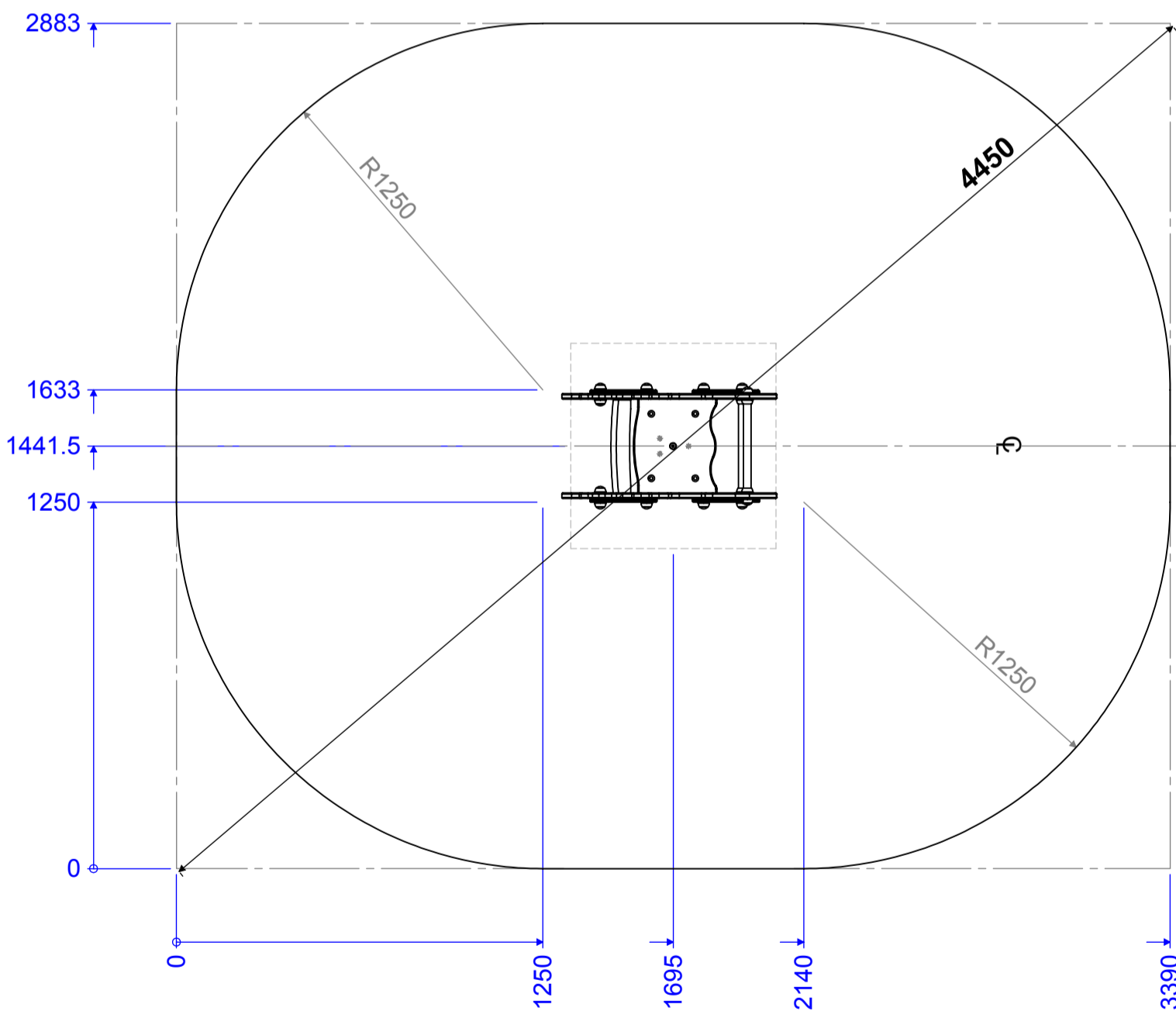
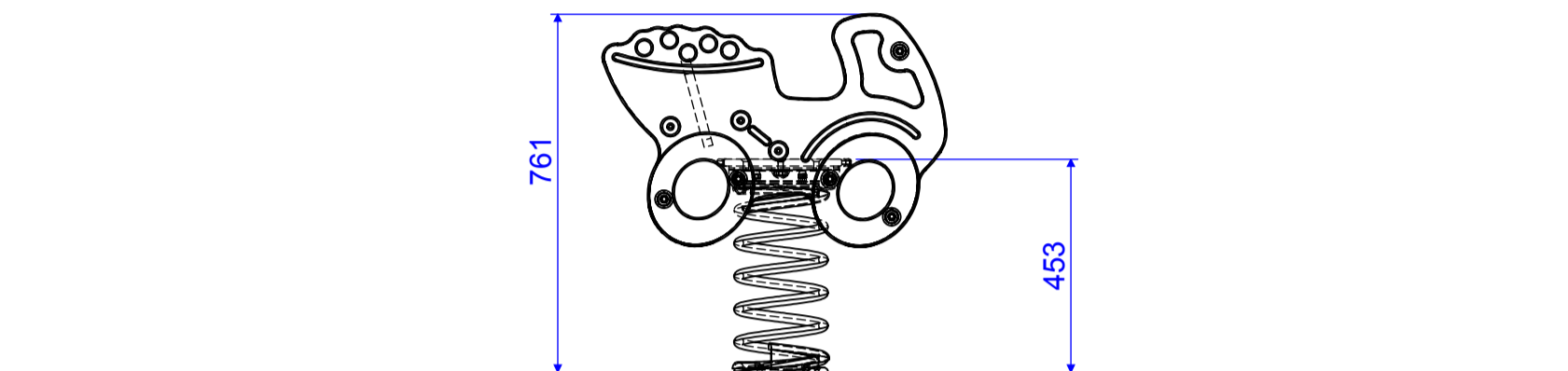


Item	Type	Min Qty.
Wetpour (m ²)	FFH 0.6 m	8.45
Unit Fix (m ³)	1:2:4 Concrete	0.18
Surfacing Base (m ³)	MOT Type 1	0.84



Current Drawing Status
Manufacturing Manual

This drawing must not be copied or passed on to a third party without the specific permission of G.L. Jones Playgrounds Ltd. This drawing is supplied on the understanding that the installer has the required skills to ensure correct installation - G.L. Jones Playgrounds Ltd can only guarantee installations completed under their direct supervision.



GL Jones Playground Ltd
Station Road, Bethesda
Gwynedd LL57 3NE
Tel: 01248 600372
info@gljones-playgrounds.co.uk
www.gljones-playgrounds.co.uk

	NAME
LASTSAVE	Mike.Roberts
DRAWN	N. Williams

DO NOT SCALE DRAWING

REVISION 02

TITLE: Dumper Springer – Sit In with Backrest

This drawing is for guidance only and has been produced with the BS EN1176 & BS EN 1177 standards in mind. The installer will need to ensure compliance with their country's standards before using this drawing.

DWG NO.
C101-002

FILE NAME C101-002 - Dumper Springer - Sit In with Backrest

DATE 03/12/2021

A3

©

SHEET 2